

Fostex

12cm コーン型フルレンジ(8Ω) ¥3,450

Features

- ◆ 120mm (4.5 in) cone type full range
- ◆ 8 ohm impedance
- ◆ fo to 20kHz frequency response
- ◆ 91dB sensitivity at 1W/1m (3.3ft)
- ◆ 0.57kg (1.26 lb) net weight

FE-series for AV speaker

FE127

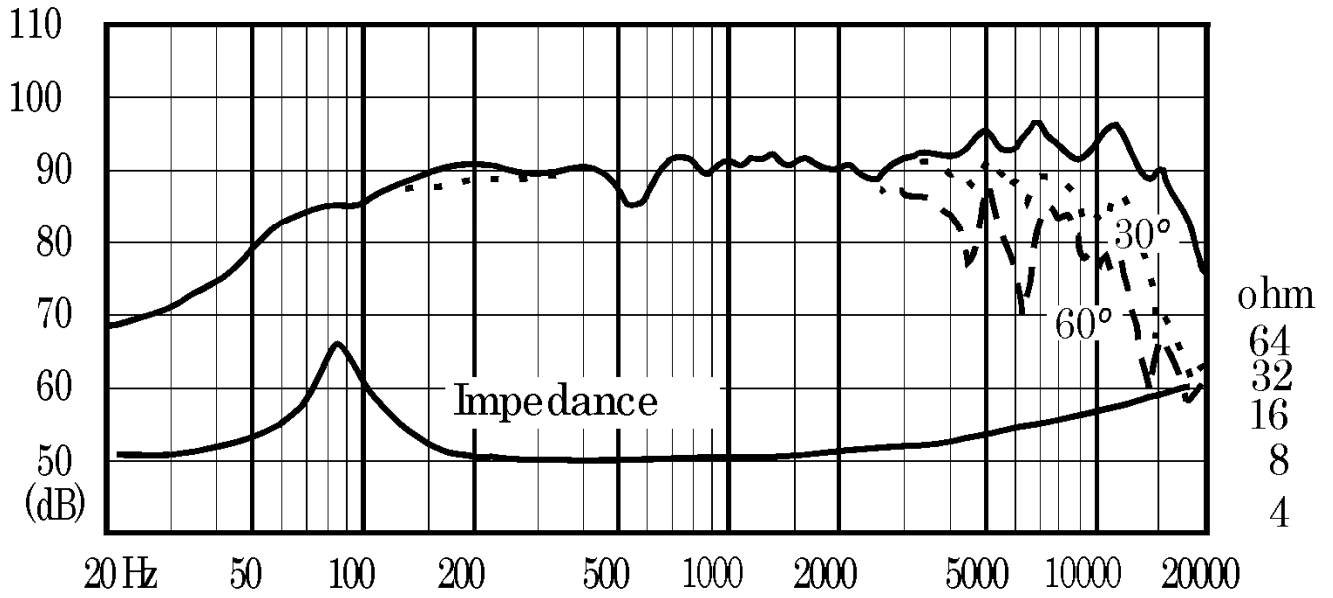


リバルジョン型特殊性能磁気回路を備えたローリーケージタイプです。

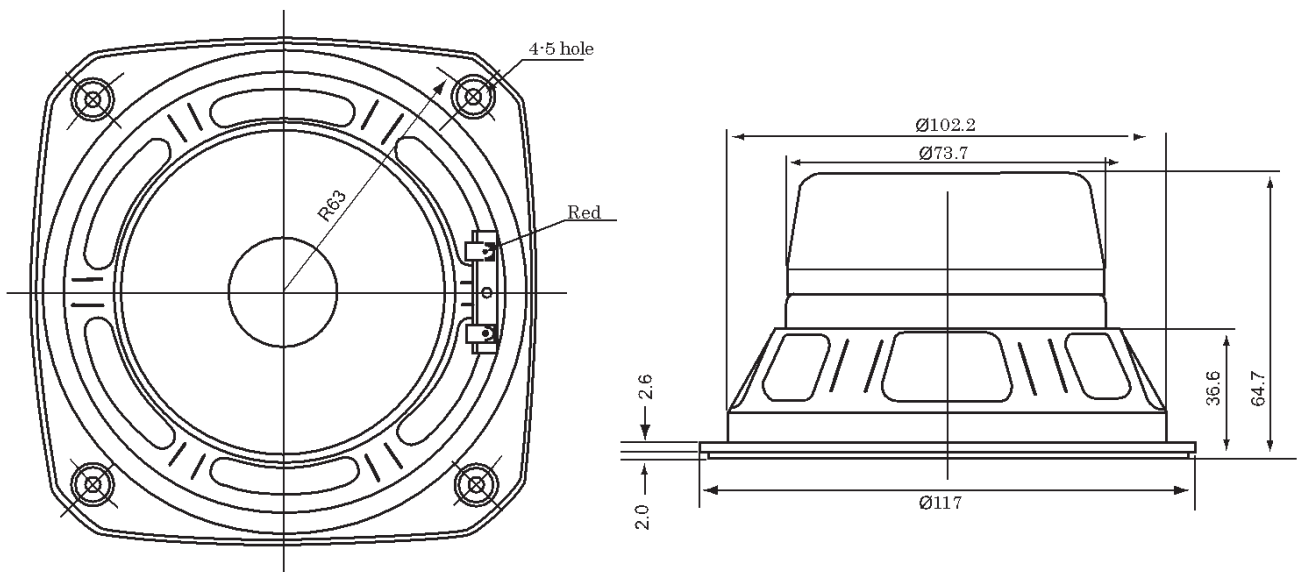
Specifications & Thiele/Small Parameters

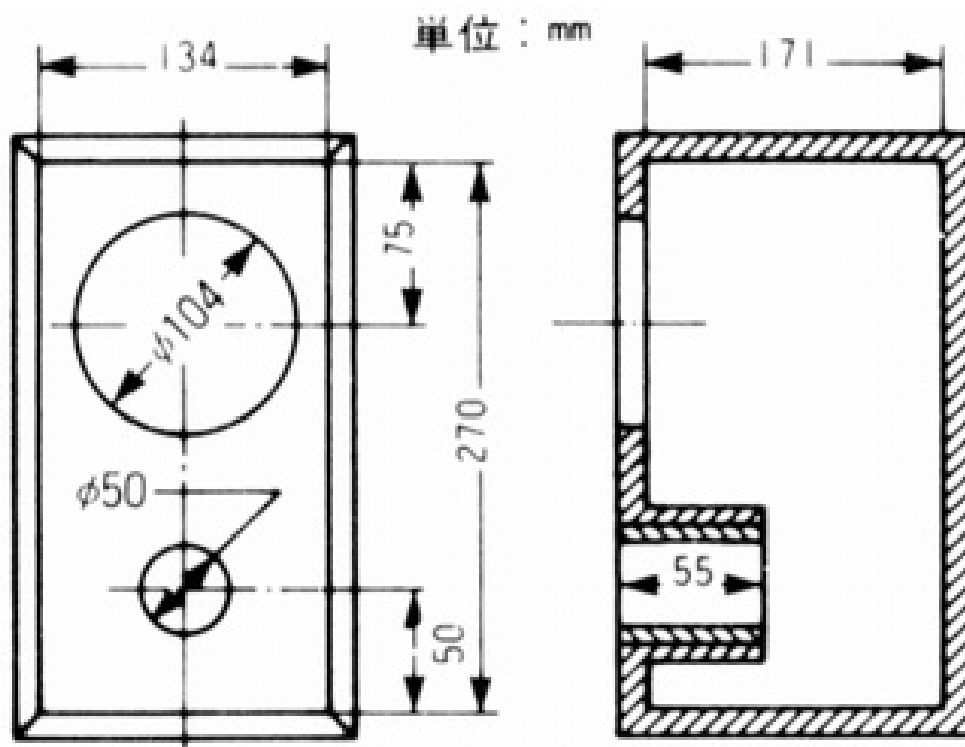
| | |
|---------------------------------|--------------------------|
| Impedance | : 8 ohm |
| Minimum Frequency Response | : 70Hz |
| Reproduction Frequency Response | : fo - 20kHz |
| S.P.L. | : 91dB/W (m) |
| Rated Input | : 22W |
| Music Power | : 45W |
| Equivalent Diaphragm Radius | : 46mm (1.8 in) |
| Equivalent Mass | : 2.9g (0.006 lb) |
| Magnet Weight (main) | : 101.2g (0.22 lb) |
| | (cancel) 58.9g (0.06 lb) |
| Net Weight | : 570g (1.26 lb) |
| Fs | : 70Hz |
| Re | : 7.1 ohm |
| Qts | : 0.45 |
| Qms | : 2.98 |
| Qes | : 0.53 |
| Vas | : 11.16 L |
| Xmax | : 0.4mm (0.015 in) |
| no | : 0.22% |

Frequency Response / Impedance



Dimensions & Mounting Information





- 標準エンクロージャ方式……………位相反転形
- 標準エンクロージャ内容積……………6 l