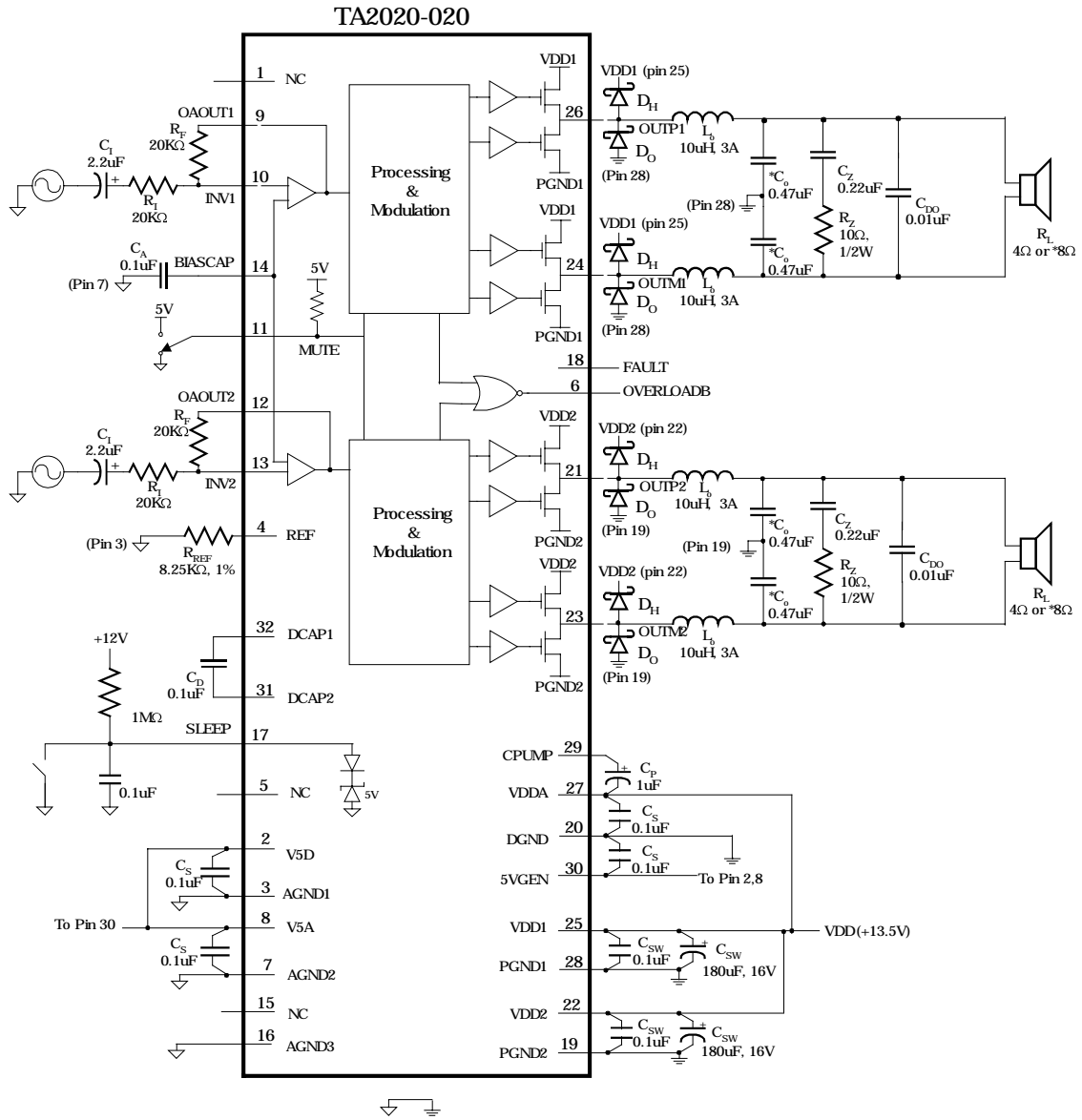


APPLICATION / TEST CIRCUIT



Note: Analog and Digital/Power Grounds must be connected locally at the TA2020-020

⏏ Analog Ground

⏏ Digital/Power Ground

Diodes (Do and Di) are Motorola MBRS130T3 (the Di diodes are required for VDD>13.5V)

* Use $C_o = 0.22\mu\text{F}$ and $C_z = 0.22\mu\text{F}$ for 8 Ohm loads